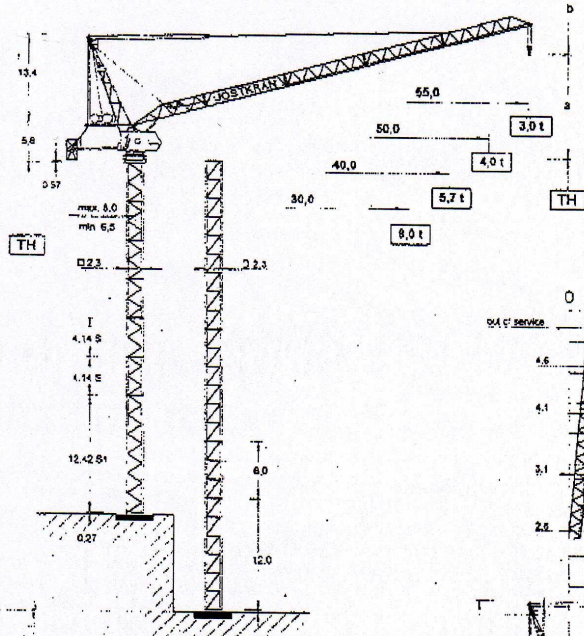
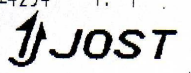


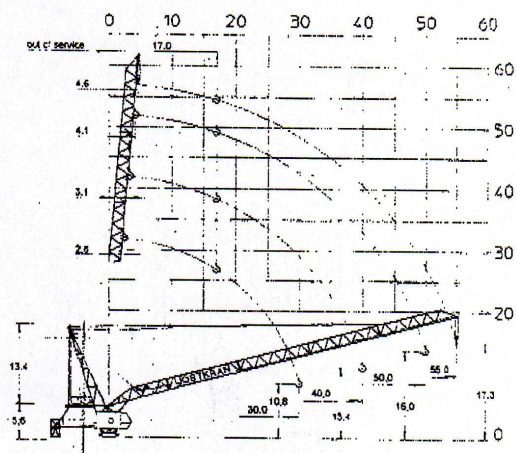
LUFFING CRANE

JL 216.16



| Jib | a | b |
|------|------|------|
| 55,0 | 17,3 | 39,6 |
| 50,0 | 16,0 | 35,5 |
| 40,0 | 13,4 | 27,8 |
| 30,0 | 10,8 | 20,2 |

All data in (m)



| Jib length (m) | 30 | 40 | 50 | 55 |
|----------------|-------|-------|-------|-------|
| HK 290 | 41,67 | 41,67 | 37,53 | 37,53 |
| TC 19 | 48,32 | 48,32 | 42,32 | 42,32 |

Radius & Capacity

| Jib | max. Load | m x t | | | | | | | | | | | |
|-----|-----------|-------|-------|-------|-------|------|------|------|------|------|------|------|------|
| | | m | 18 | 20 | 22 | 25 | 27 | 30 | 35 | 40 | 45 | 50 | 55 |
| 55 | 8,0 | 22,0 | 8,00 | 8,00 | 8,00 | 7,03 | 6,49 | 5,81 | 4,93 | 4,27 | 3,76 | 3,35 | 3,00 |
| | 5,0 | 25,0 | 8,00 | 8,00 | 8,00 | 7,39 | 6,65 | 5,70 | 5,00 | 4,43 | 4,00 | | |
| 50 | 16,0 | 11,9 | 10,80 | 9,88 | 8,77 | 7,68 | 7,09 | 6,36 | 5,40 | 4,70 | 4,13 | 3,70 | |
| | 8,0 | 29,0 | 8,00 | 8,00 | 8,00 | 8,00 | 7,77 | 6,52 | 5,70 | | | | |
| 40 | 16,0 | 14,4 | 12,85 | 11,80 | 10,40 | 9,08 | 8,37 | 7,47 | 6,32 | 5,40 | | | |
| | 8,0 | 30,0 | 8,00 | 8,00 | 8,00 | 8,00 | 8,00 | 8,00 | 8,00 | | | | |
| 30 | 16,0 | 15,5 | 13,74 | 12,30 | 11,13 | 9,72 | 8,98 | 8,00 | | | | | |
| | 8,0 | 30,0 | 8,00 | 8,00 | 8,00 | 8,00 | 8,00 | 8,00 | | | | | |

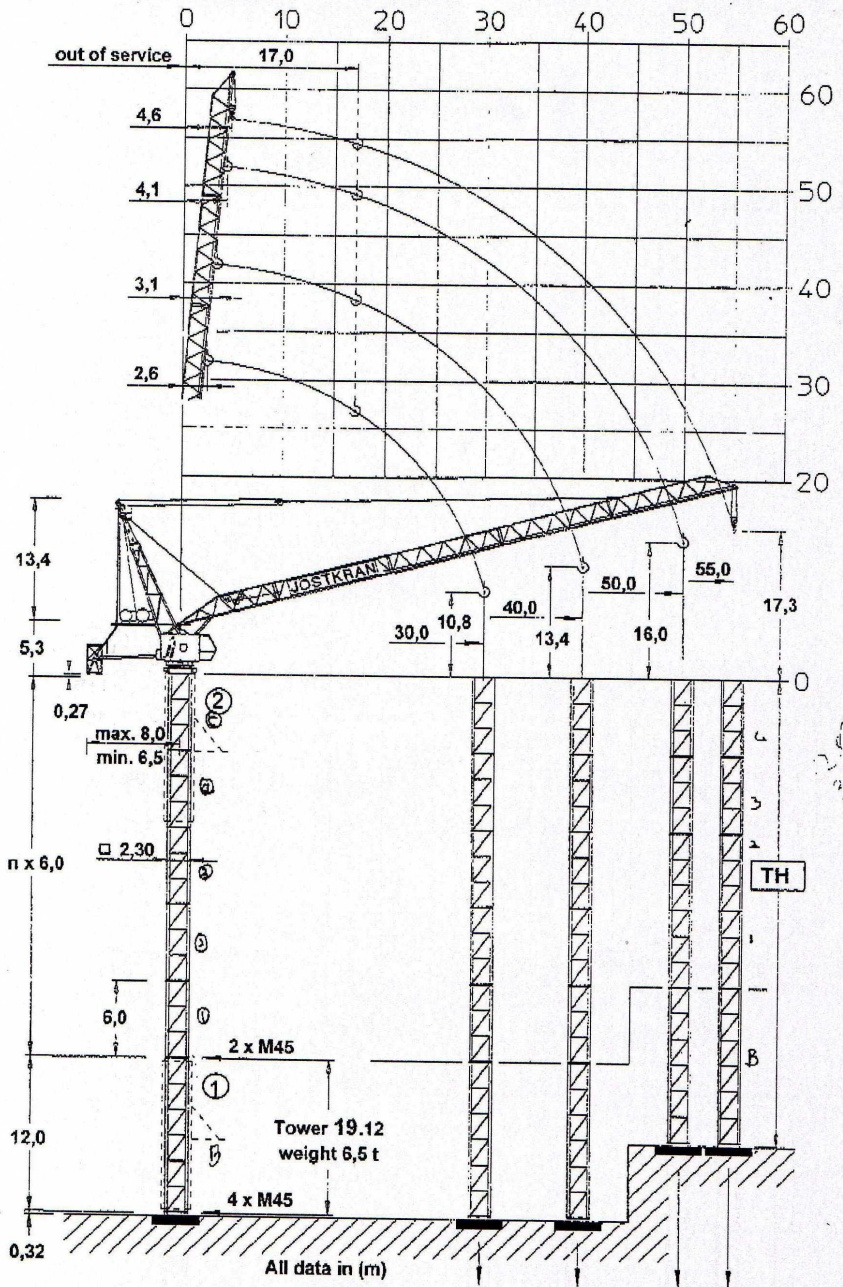
Speeds 400 V - 50 Hz / 440 V - 60 Hz

| Hoist unit 55 / 64 kW | |
|-----------------------|-------------------------|
| Frequency inverter | |
| Pmax 8,0 t - 16,0 t | |
| Load [t] | 1,8 2,4 4,2 5,4 6,6 8,0 |
| v [m/min] | 102 90 66 54 44 36 |

| | |
|---------------|----------------------------|
| Load [t] | 3,6 4,8 8,4 10,8 13,2 16,0 |
| v [m/min] | 50 45 33 27 22 18 |
| Drum capacity | 500,0 m |

| Motor | 2 x 3,0 kW | 4 x 5,0 kW |
|--------------------------------|------------|------------------------|
| t/v | 2,20 min | 0,67 min ⁻¹ |
| Power requirement - upper part | 113 KVA | |

0.6 Tower configuration TC 19



| TH | Tower height | Climbing cage in Pos. ① | 48,32 | 48,32 | 42,32 | 42,32 m |
|----|--------------|-------------------------|-------|-------|-------|---------|
| | | Climbing cage in Pos. ② | 42,32 | 42,32 | 36,32 | 36,32 m |

Subjected to alterations Edition 10.04

JOST CRANES GmbH
 Garching Strasse 26
 D - 80805 MÜNCHEN
 Germany
 FON: ++49 - 89 - 361 09 333
 FAX: ++49 - 89 - 361 09 334
 E-MAIL: jost.cranes@t-online.de

CE
 FEM A3
 DIN 15018 H1-B3
 TÜV-CERT
 DIN EN ISO 9001

JL 216.16
 Edition 00 - 01 / 2005

Record book
 Page 6

0.5 Radius & Capacity & Speeds

Radius & Capacity

| Jib | | max. Load | | m x t | | | | | | | | | | |
|-----|------|-----------|------|-------|-------|-------|------|------|------|------|------|------|------|------|
| m | rope | t | m | 18 | 20 | 22 | 25 | 27 | 30 | 35 | 40 | 45 | 50 | 55 |
| 55 | | 8,0 | 22,0 | 8,00 | 8,00 | 8,00 | 7,03 | 6,49 | 5,81 | 4,93 | 4,27 | 3,76 | 3,35 | 3,00 |
| | | - | - | - | - | - | - | - | - | - | - | - | - | - |
| 50 | | 8,0 | 26,0 | 8,00 | 8,00 | 8,00 | 8,00 | 7,39 | 6,65 | 5,70 | 5,00 | 4,43 | 4,00 | |
| | | 16,0 | 11,9 | 10,80 | 9,63 | 8,77 | 7,68 | 7,00 | 6,35 | 5,40 | 4,70 | 4,13 | 3,70 | |
| 40 | | 8,0 | 29,0 | 8,00 | 8,00 | 8,00 | 8,00 | 8,00 | 7,77 | 6,82 | 5,70 | | | |
| | | 16,0 | 14,4 | 12,85 | 11,50 | 10,40 | 9,08 | 8,37 | 7,47 | 6,32 | 5,40 | | | |
| 30 | | 8,0 | 30,0 | 8,00 | 8,00 | 8,00 | 8,00 | 8,00 | 8,00 | | | | | |
| | | 16,0 | 15,5 | 13,74 | 12,30 | 11,13 | 9,72 | 8,96 | 8,00 | | | | | |

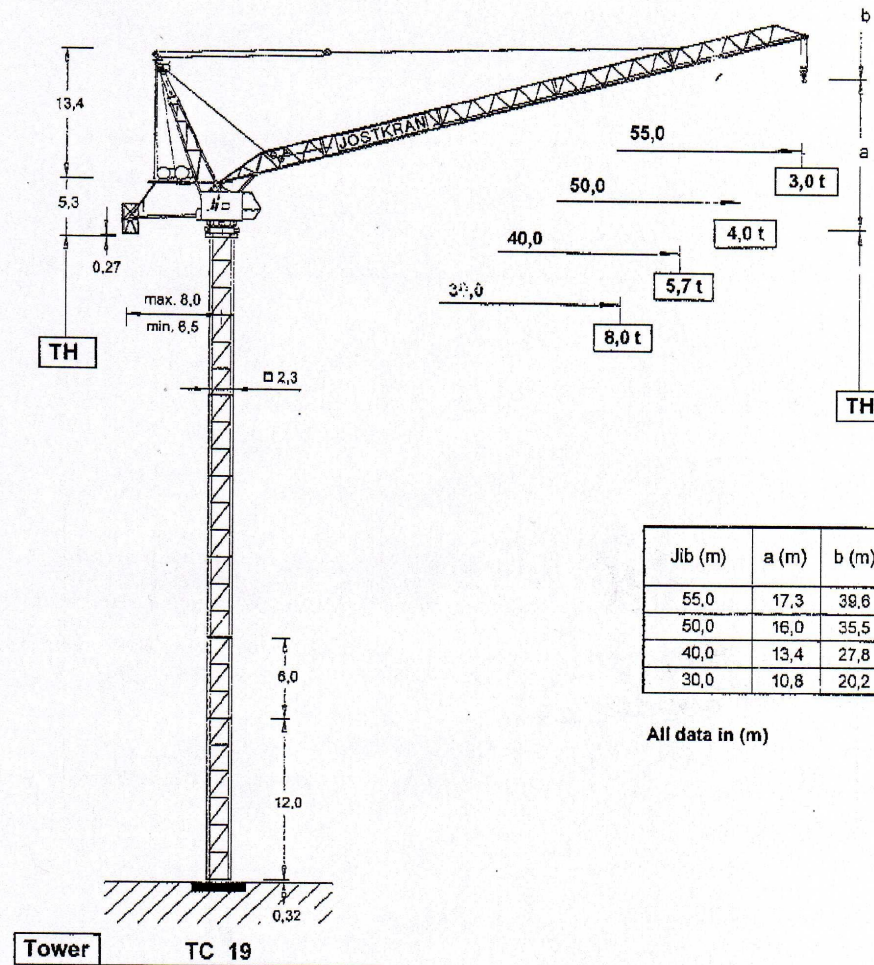
Speeds 400 V - 50 Hz / 440 V - 60 Hz

| Hoist unit 55 / 64 kW | | Frequency inverter | | | | | |
|-----------------------|-----------|--------------------|-----|-----|------|------|------|
| Pmax | | 8,0 t - 16,0 t | | | | | |
| | Load [t] | 1,8 | 2,4 | 4,2 | 5,4 | 6,6 | 8,0 |
| | v [m/min] | 102 | 90 | 66 | 54 | 44 | 36 |
| | Load [t] | 3,6 | 4,8 | 8,4 | 10,8 | 13,2 | 16,0 |
| | v [m/min] | 50 | 45 | 33 | 27 | 22 | 18 |
| Drum capacity | | 500,0 m | | | | | |

| Motor | 30,0 kW FI | 2 x 3,0 kW | 4 x 5,0 kW |
|-------|------------|------------------------|--------------|
| t / v | 2,20 min | 0,67 min ⁻¹ | 25,0 m / min |

| Power requirement (upper part) | | |
|--------------------------------|------------|---------|
| Hoist unit | 55 / 64 kW | 113 KVA |

0.4 Technical data



| Jib (m) | a (m) | b (m) |
|---------|-------|-------|
| 55,0 | 17,3 | 38,6 |
| 50,0 | 16,0 | 35,5 |
| 40,0 | 13,4 | 27,8 |
| 30,0 | 10,8 | 20,2 |

All data in (m)

| Jib length (m) | 30 | 40 | 50 | 55 |
|----------------|-------|-------|-------|-------|
| TH (m) | 48,32 | 48,32 | 42,32 | 42,32 |

HAST 620 HAST 520

CE
FEM A3
DIN 15018 H1-B3
TÜV-CERT
DIN EN ISO 9001