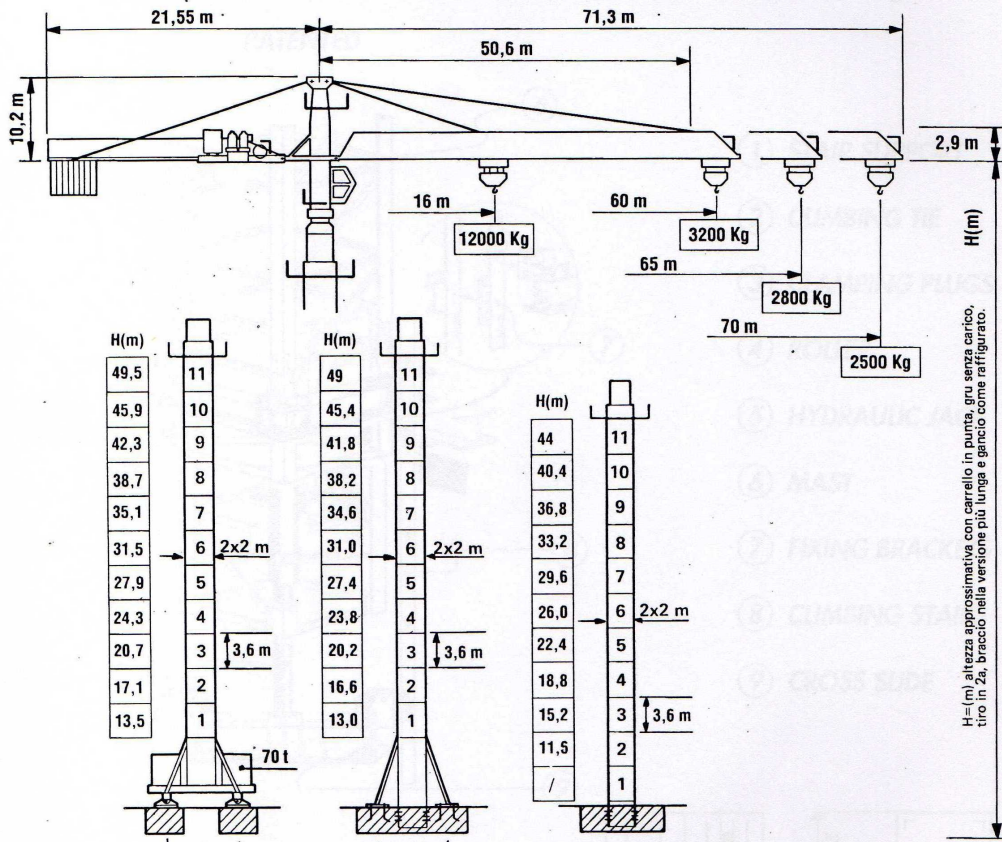
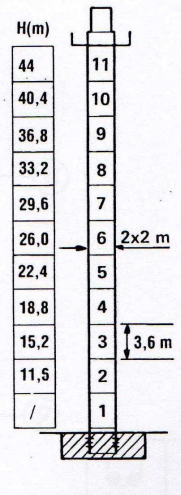
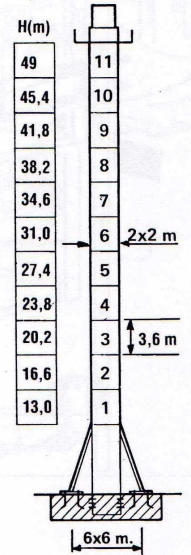
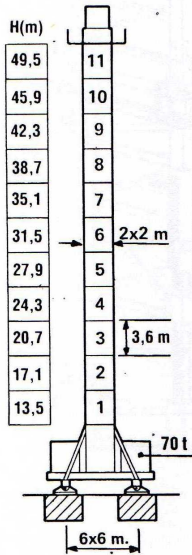


Dimensioni - Cotes - Dimensions - Abmessungen - Dimensiones



H(m) altezza approssimativa con carrello in punta, gru senza carico, tiro in 2a, braccio nella versione più lunga e gancio come raffigurato.



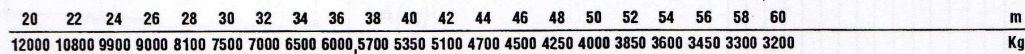
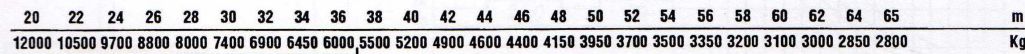
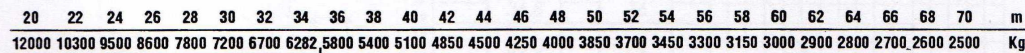
R	87 t
R	98 t

R1	30 t	R2	97 t
----	------	----	------

R1	126 t	R2	211 t
----	-------	----	-------

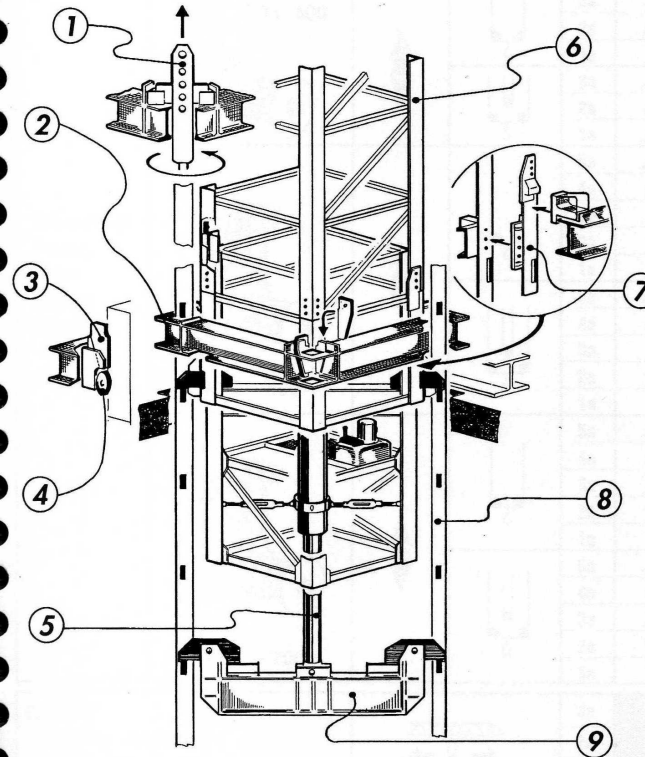
⊕ = Peso a vuoto - Poids de constructions - Kostruktionsgewicht - Dead weight
 R = Reazioni - Réactions - Eckdrucke - Reactions - Reacciones

Load Diagrams - Lastkurven - Curvas de Cargas - Diagramma dei carichi - Courbes de Charges

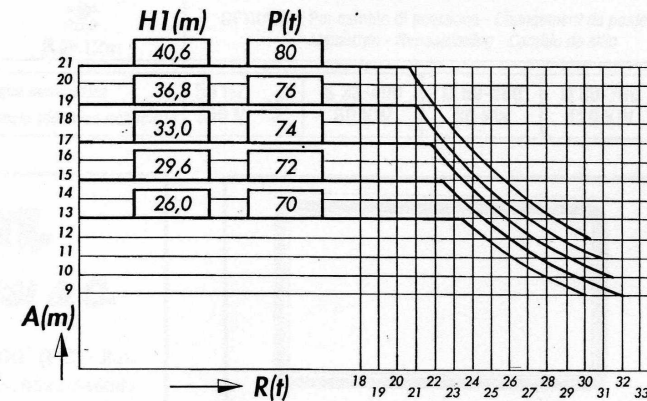
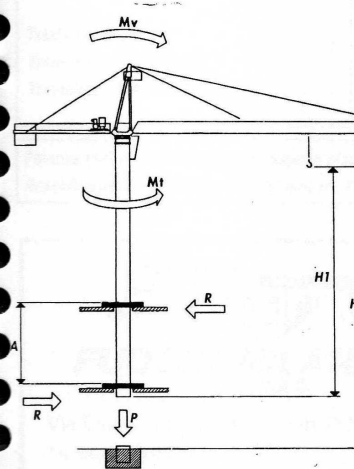
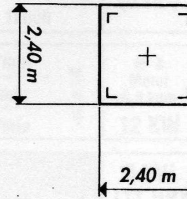
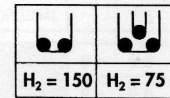


Climbing crane

PATENTED



- ① STAIR SUPPORT
- ② CLIMBING TIE
- ③ CLAMPING PLUGS
- ④ ROLLER
- ⑤ HYDRAULIC JACK
- ⑥ MAST
- ⑦ FIXING BRACKETS
- ⑧ CLIMBING STAIRS
- ⑨ CROSS SLIDE



The logo for FM consists of the letters 'FM' in a bold, stylized font, followed by 'GRU' in a similar style. The letters are white with a black outline and are set against a dark, rectangular background.

MI 2570K

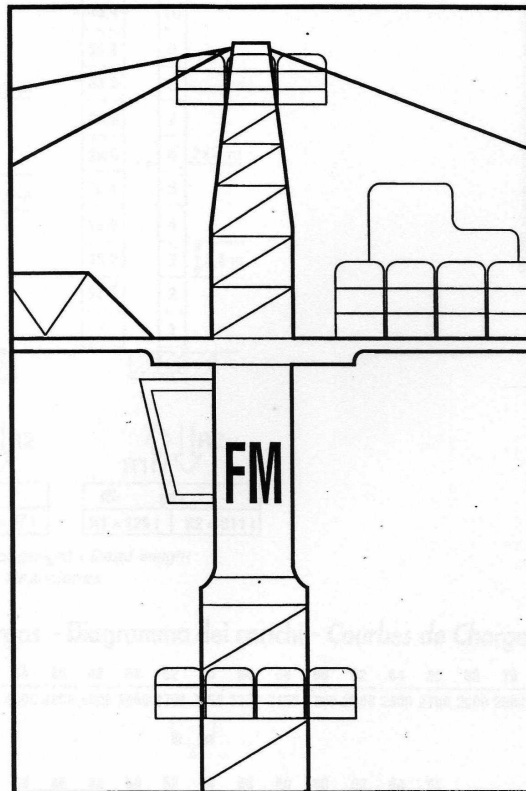
**GRU A TORRE PER CANTIERI EDILI
TOWER CRANES FOR CONSTRUCTION SITES
STATIC & INTERNAL CLIMBING**

*Complies with following international standards
DIN 15018 H1 B3; UNI CNR 10011-10021; FEM*

Montaggio idraulico
*Hydraulic mounting
Montage hydraulique
Montaje hidráulico
Hidraulische lagerung*

Cabina panoramica rotante
*Rotating panoramic cabin
Cabine panoramique tournante
Cabina panoràmica con rotaciòn
Drehende aussichtskabine*

Rotazione elettronica
*Electronic slewing
Orientation électronique
Rotaciòn elèctronica
Elektronische drehung*



MI 2570K T20 P12 A50