

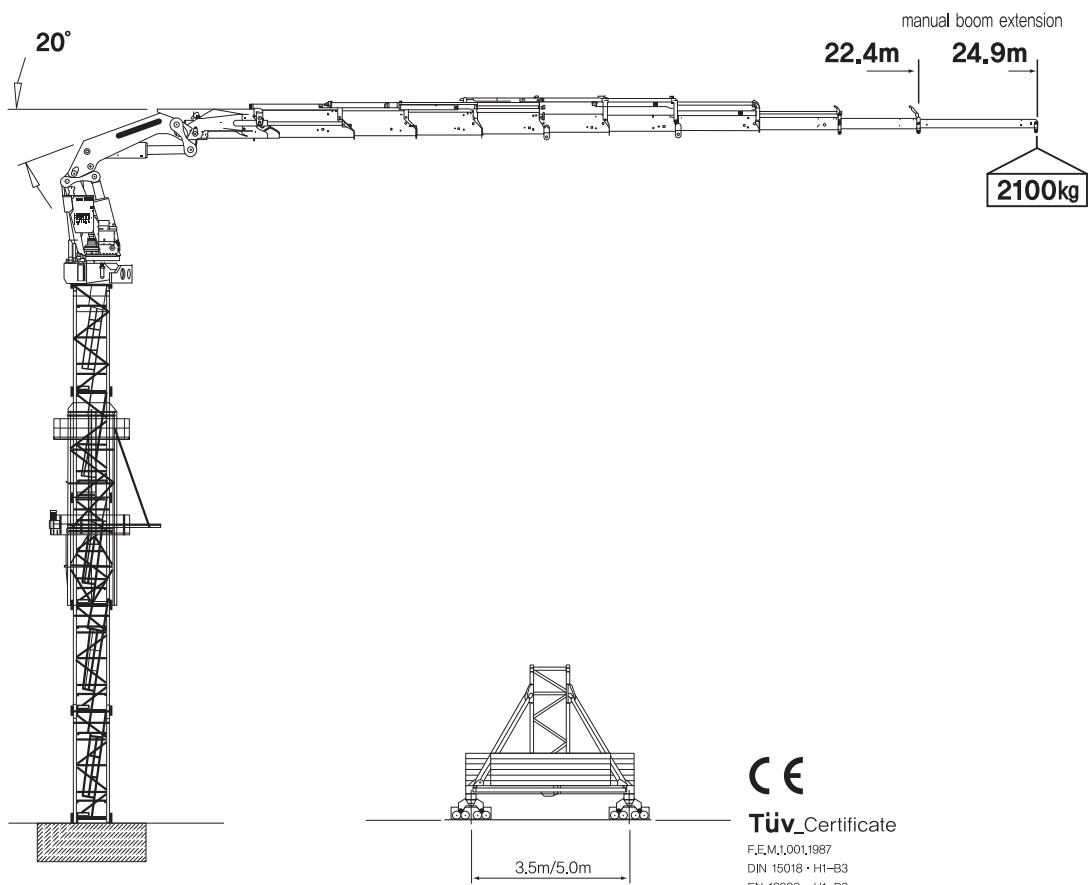
# KNUCKLE BOOM CRANE

Nadelaüstègerkran / Grues a fleche relevable  
Gru con braccio a volata variabile

굴절식

# KB 80-2.5

I/2-Fall

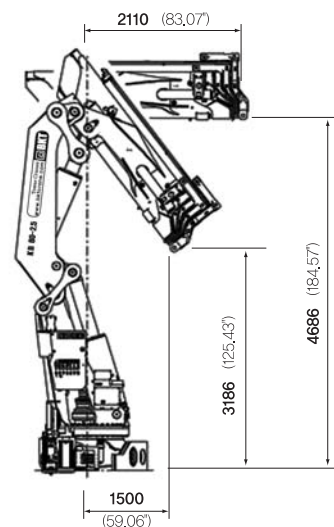
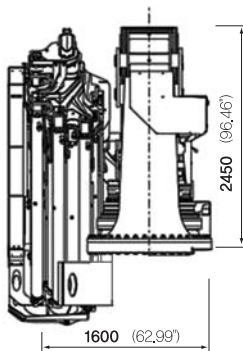
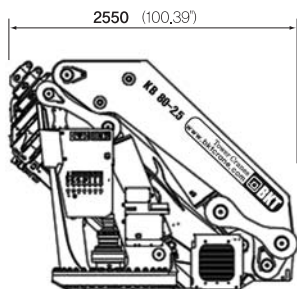
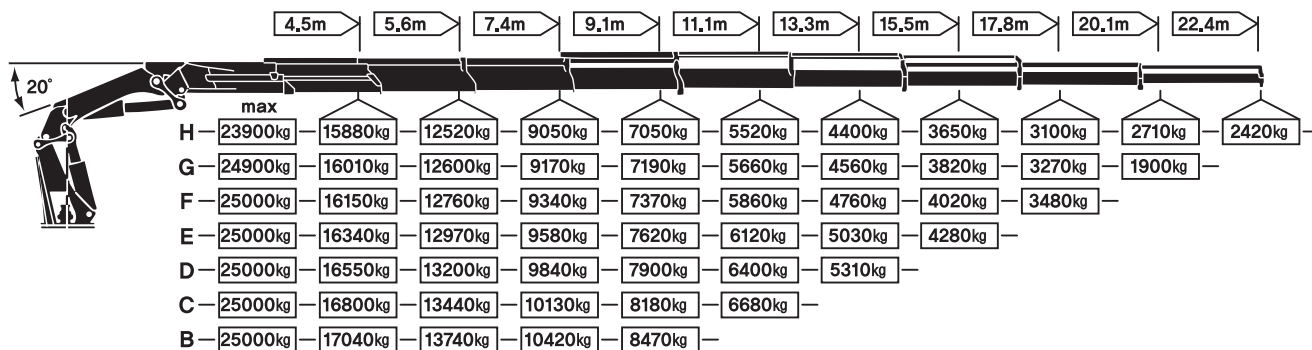


Subject to modification without prior notice  
Edition Mar. 2010

# KB 80-2.5

1/2-Fall

## Max. lifting capacities (hydraulic boom extension)



KB 80-2.5 Performance		
Technical Specifications (EN 12999 H1-B3)		
Max. lifting moment	80,0mt/784,8 kNm	578630 ft.lbs
Max. lifting capacity	25000 kg/245,3 kN	55110 lbs
Max. hydraulic outreach	22,5 m	73' 10"
Max. outreach (with jib)	32,4 m	113' 6"
Slewing angle	endless	

KB 80-2.5 B Performance		
Standard crane		
Slewing torque	7,7 mt/76,0 kNm	56030 ft.lbs
Outreach	7,4 m	24' 3"
Stabilizer spread standard	8,6 m	28' 3"
Fitting space required	min, 1,60 m/max, 1,82 m	min, 5' 3"/max, 5' 12"
Width folded	2,55 m	8' 4"
Max. operating pressure	365 bar	5293 psi
Recommended pump capacity	from 90 l/min 19,8 imp.gal/min	23,8 US gal./min
RC, LC-system	to 110 l/min 24,2 imp.gal/min	29,1 US gal./min
Dead weight standard crane	6589 kg	14530 lbs



# KNUCKLE BOOM CRANE

Nadelaüslegerkran / Grues a fleche relevable  
Gru con braccio a volata variabile

## KB 80-2.5

### 1/2-Fall

TOP PERFORMANCE IN HEAVY DUTY APPLICATION

#### Advanced Package

- U HPLS
- U Radio control
- U Capacity display on control console
- U PALTRONIC 50
- U Oil cooler installed



#### KTL -the cathodic dip painting

The shot-blasted crane parts are covered in zinc phosphate in an immersion process and coated electro-statically. The subsequent twocomponent top coating of paint provides a surface protection which in the past was usually only found in the automotive industry.

#### Load holding valves

They prevent the crane booms from dropping and are fitted as standard on the main boom cylinder, the extension boom cylinders, and the swivel cylinder. The valves are positioned in such a way that they are protected from being damaged.



#### Additional fly jibs

To extend the range of applications of the KB80 Performance, additional fly jibs are available in several designs and for various boom versions.



#### Control valve

In combination with the radio control system the Performance, additional fly jibs are available in load sensing proportional valve enables the crane to be adjusted very slightly.

#### AOS

The Active Oscillation Suppression system, which is available exclusively from BKT, compensates for jolts and sharp stress cycles caused by crane operation. As oscillations are eradicated, the crane can work with pin-point accuracy much more quickly and therefore more cost-efficiently.

#### Endless slewing mechanism

The endless slewing mechanism, which is equipped as standard with two slewing drives, permits an unrestricted radius of operation and produces a high slewing torque. As a result the crane operation is more efficient.



[www.bktcrane.com](http://www.bktcrane.com)



# MAXIMUM OUTREACH

# 굴절식 크레인



## Hose equipment for accessories

This option provides the oil supply for accessories. The hoses are routed in compact troughs and plastic link chains. Optimal protection is achieved.



## POWER LINK PLUS

This knuckle boom specially developed by BKT which can be angled upwards by 12 degrees stands out by virtue of excellent movement geometry. Even in the tightest spaces difficult crane jobs can be carried out without any problems.

## Return oil utilisation

The high speed of the extension system is impressive. It results from return oil utilisation, which is installed as standard, along with generously dimensioned hydraulic lines. This makes for increased efficiency in any type of application!

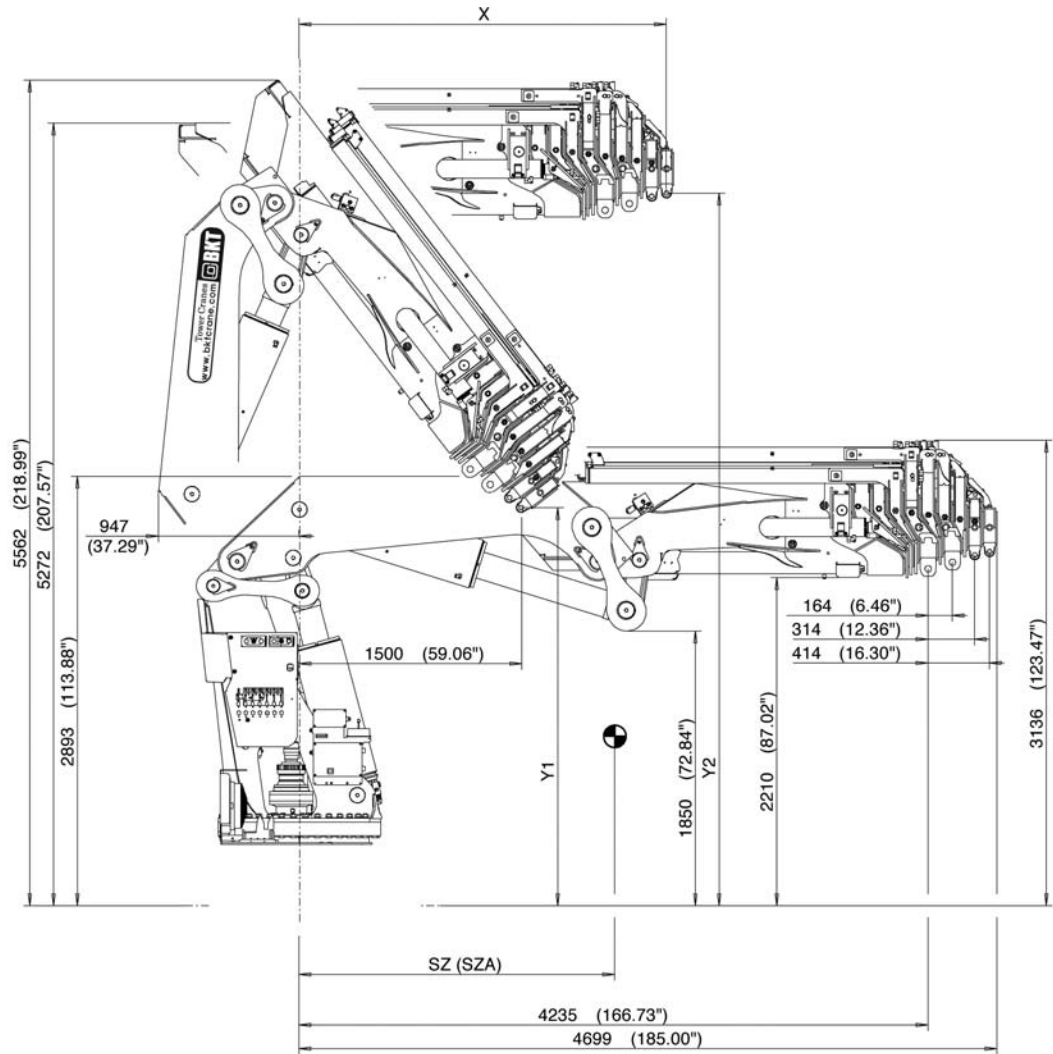


# KNUCKLE BOOM CRANE

Nadelaüslegerkran / Grues a fleche relevable  
 Gru con braccio a volata variabile

# KB 80-2.5

1/2-Fall



	hydraulische Ausschube			extensions hydrauliques			extensjons hydrauliques		
	2(A)	3(B)	4(C)	5(D)	6(E)	7(F)	8(G)	9(H)	
<b>X</b>	2009 mm (79,09")	2045 mm (80,51")	2110 mm (83,07")	2205 mm (86,81")	2295 mm (90,35")	2345 mm (92,32")	2384 mm (93,86")	2488 mm (97,95")	
<b>Y1</b>	3336 mm (131,34")	3281 mm (129,17")	3186 mm (125,43")	3050 mm (120,08")	2928 mm (115,28")	2859 mm (112,56")	2806 mm (110,47")	2671 mm (105,16")	
<b>Y2</b>	4644 mm (182,84")	4666 mm (183,70")	4688 mm (184,57")	4710 mm (185,43")	4732 mm (186,30")	4759 mm (187,36")	4782 mm (188,27")	4803 mm (189,09")	
<b>SZ</b>	803 mm (31,61")	924 mm (36,38")	1035 mm (40,75")	1128 mm (44,41")	1212 mm (47,72")	1281 mm (50,43")	1332 mm (52,44")	1374 mm (54,09")	
<b>SZA</b>	889 mm (35,00")	1415 mm (55,71")	1839 mm (72,40")	2292 mm (90,24")	2780 mm (109,45")	3264 mm (128,50")	3665 mm (144,29")	4034 mm (158,82")	





# KNUCKLE BOOM CRANE

Nadelaülegerkran / Grues a fleche relevable  
 Gru con braccio a volata variabile

# KB 80 -2.5 LOAD CHART

1/2-Fall

